

禹信有限公司

YU SHIN CO., LTD.



沉水式鼓風機

**SUBMERSIBLE ROOTS BLOWER**



# 沉水式鼓風機

## SUBMERSIBLE ROOTS BLOWER

### 沉水鼓風機之特點 THE FEATURES OF EVW

#### 低噪音

沉水鼓風機轉子為密閉式非接觸型，雙軸二葉平行式三葉片葉輪震幅較小軸承壽命較長且因安裝於水底，所產生的噪音被水與池壁阻隔吸收，所以可將噪音降至最低，適用於學校、大樓、社區、醫院等。

#### Low noise

EVW series could reduce vibration and extend bearing life for tri-lobes design. Due to sinking installation and the noise will be absorbed by pool. EVW series will be applied to school, building, community and hospital.

#### 低故障

沉水鼓風機採用直結式動力傳導，不須皮帶輪減少故障因子，過載過熱自動停止運轉，自動復歸。

#### Less trouble

It is not necessary for belt and pulley because EVW series design directly drive system for raising high efficiency and reducing failure factor. EVW series motor will install cutter over device to prevent overload and overheat.

#### 安裝易

主體不須固定底座、配管短、安裝空間小。

#### Easy installation

EVW series are not necessary to fix on foundation, saving space and piping cost.

#### 軸承及齒輪不易損壞

傳統齒輪採油浴式，且在油箱外留有注油孔始能保養檢查，上端軸承採耐高溫黃油潤滑，使軸承經水冷卻不易損壞。

#### Good durability for bearings and gears

Transmission gears adopt bath lubrication. There must be oil injection hole and oil discharging hole on the outside surface of oil tanks so that it can be maintained and repaired easily. Top bearings adopt high temperature resistant butter to lubricate so that they won't be broken by cooling water.

#### 電動機不易損壞

型式為豎軸承沉水密閉乾式鼠籠型感應電動機，絕緣等級B級，內部附有溫昇保護裝置，使電動機不會燒毀。

#### Good durability for motor

Type are submersible, airtight, dry, squirrel cage induction motor. Insulation grade is B. There is a temperature rise protection device inside so that motor won't be broken.

#### 過濾裝置

型式為乾式，可承受突增壓力及吸力而不變形，過濾器的面積設計為鼓風機風量的1.2倍，使壓損不會大於25mmAq。

#### Filtration device

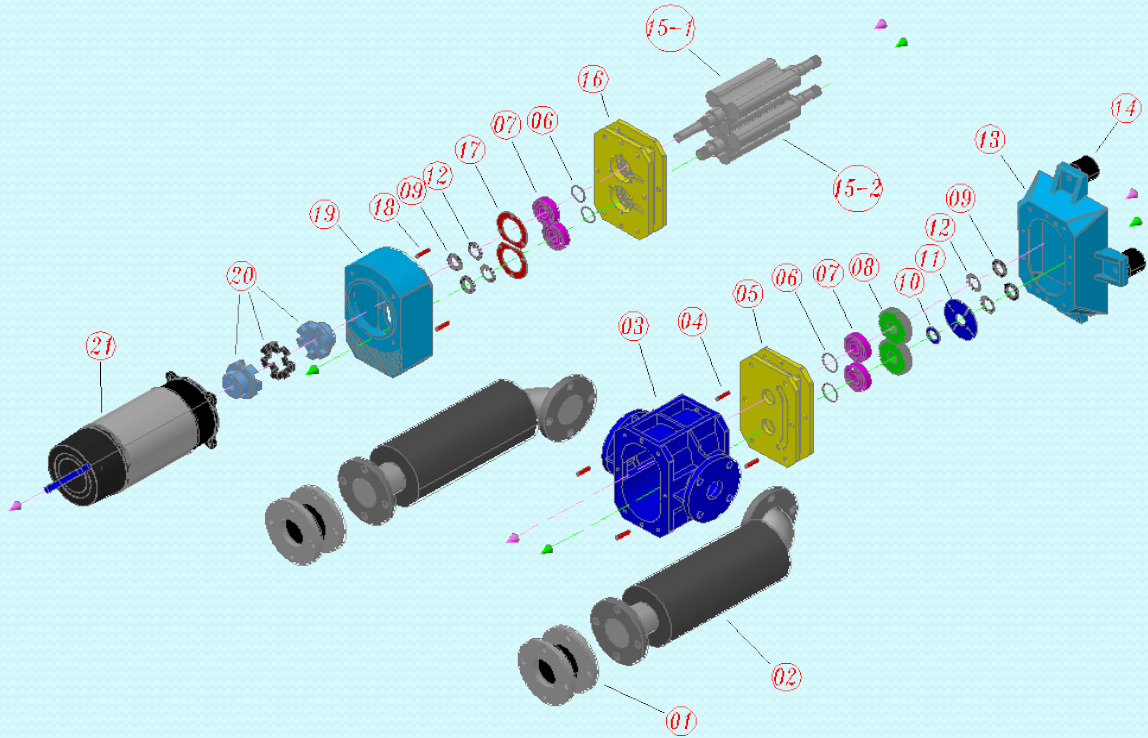
Dry type. It won't distort even by sudden pressure rise or absorption force. The area of filtration device is 1.2 times than the capacity of blowers. It can control the pressure loss less than 25mmAq.



# 沉水式鼓風機

## SUBMERSIBLE ROOTS BLOWER

### 沉水鼓風機之構造 CONSTRUCTION



| 序號<br>NO. | 名稱<br>NAME                 | 材質<br>MATERIAL      | 數量<br>QTY | 指定材質<br>SPECIFIED<br>MATERIAL | 序號<br>NO. | 名稱<br>NAME                   | 材質<br>MATERIAL      | 數量<br>QTY | 指定材質<br>SPECIFIED<br>MATERIAL |
|-----------|----------------------------|---------------------|-----------|-------------------------------|-----------|------------------------------|---------------------|-----------|-------------------------------|
| 1         | 防震接頭<br>Flexible Joint     | Synthetic<br>Rubber | 2         |                               | 12        | 太陽墊圈<br>Washer               | SS41                | 4         |                               |
| 2         | 消音器<br>Silencer            | SS41                | 2         |                               | 13        | 腳底齒輪箱<br>Base gear box       | FC250               | 1         |                               |
| 3         | 鼓風機本體<br>Casing            | FC250               | 1         |                               | 14        | 吸震墊<br>Vibration<br>Isolator | Synthetic<br>Rubber | 4         |                               |
| 4         | 彈簧定位銷<br>Positioning pin   | S50C                | 4         |                               | 15-1      | 傳動軸+葉輪<br>Drive shaft        | SUS403+FC250        | 1         |                               |
| 5         | 後軸承座<br>Bearing<br>Housing | FC250               | 1         |                               | 15-2      | 被動軸+葉輪<br>Driven shaft       | SUS403+FC250        | 1         |                               |
| 6         | V型油封<br>V-ting             | Piston Ring         | 4         |                               | 16        | 前軸承座<br>Bearing housing      | FC250               | 1         |                               |
| 7         | 軸承<br>Bearing              | SUJ2                | 4         |                               | 17        | 軸承固定片<br>Bearing hous        | SS41                | 4         |                               |
| 8         | 齒輪<br>Gear                 | SCM435              | 2         |                               | 18        | 定位銷<br>Positioning pin       | S45C                | 4         |                               |
| 9         | 防鬆螺絲<br>Lock nut           | S45C                | 4         |                               | 19        | 中承座<br>Oil box               | FC250               | 1         |                               |
| 10        | 甩油墊片<br>Washer             | SS41                | 2         |                               | 20        | 聯軸器<br>HRC Couplings         | FC250               | 1         |                               |
|           | 甩油片                        |                     |           |                               |           | 馬達                           |                     |           |                               |

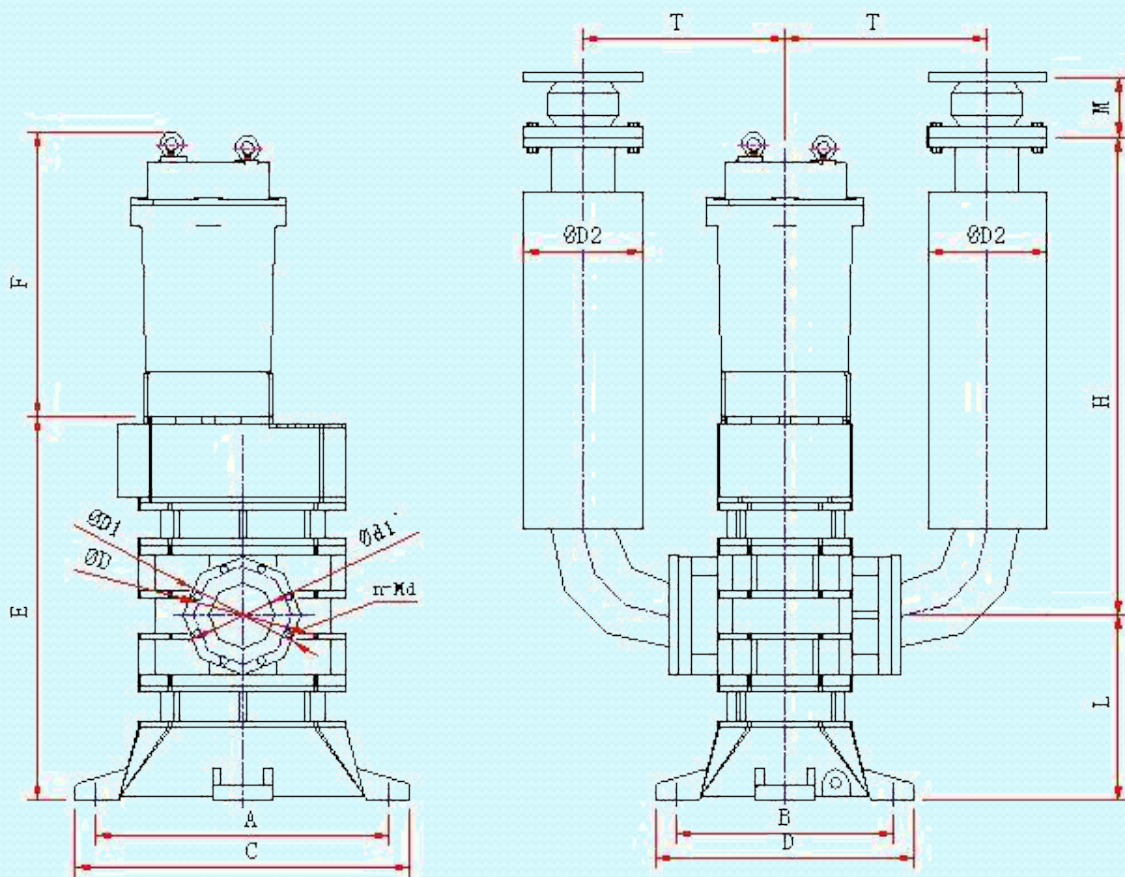




# 沉水式鼓風機

## SUBMERSIBLE ROOTS BLOWER

### 沉水鼓風機外型尺寸圖 OVERALL DIMENSION



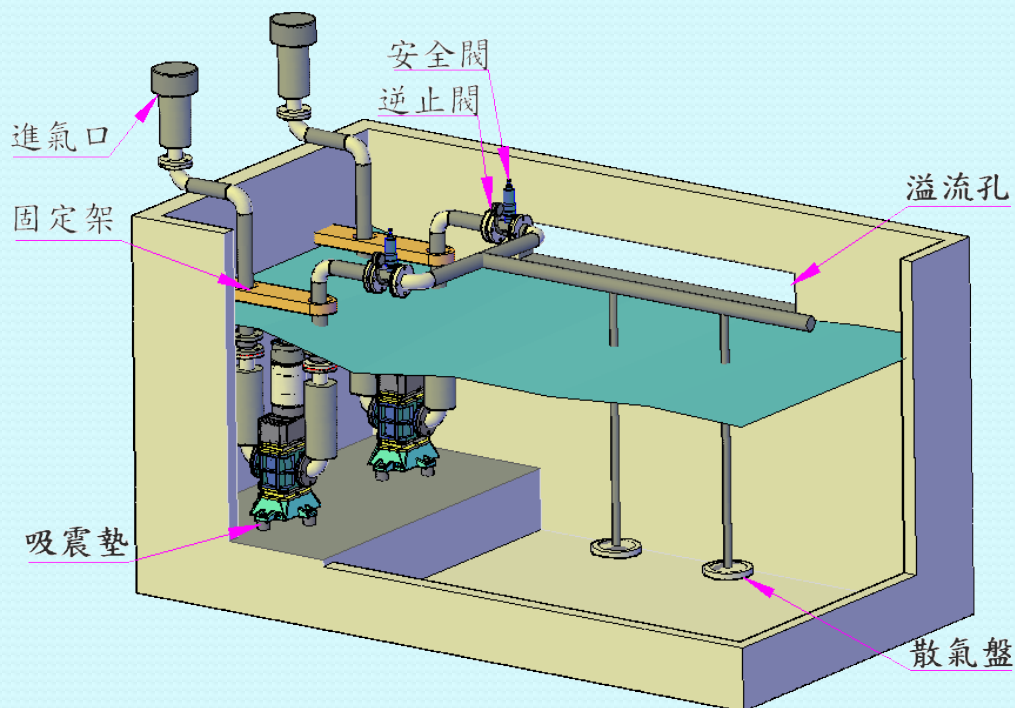
| Model     | A   | B   | C   | D   | E   | F   | L   | H   | M   | T   | ØD1 | ØD  | Ød1 | n-Md  | D2  |
|-----------|-----|-----|-----|-----|-----|-----|-----|-----|-----|-----|-----|-----|-----|-------|-----|
| YSW4075   | 400 | 310 | 440 | 350 | 442 | 395 | 154 | 572 | 85  | 220 | 140 | 105 | 40  | 4-M16 | 140 |
| YSW4015   |     |     |     |     |     |     |     |     |     |     |     |     |     |       |     |
| YSW4022   | 400 | 310 | 440 | 350 | 442 | 395 | 154 | 572 | 85  | 220 | 140 | 105 | 40  | 4-M16 | 140 |
| YSW5015   | 400 | 310 | 440 | 350 | 442 | 395 | 154 | 572 | 85  | 240 | 155 | 120 | 50  | 4-M16 | 140 |
| YSW5022   | 400 | 310 | 440 | 350 | 442 | 395 | 154 | 572 | 85  | 240 | 155 | 120 | 50  | 4-M16 | 140 |
| YSW5037   | 400 | 310 | 440 | 350 | 442 | 435 | 154 | 572 | 85  | 240 | 155 | 120 | 50  | 4-M16 | 140 |
| YSW6522   | 400 | 310 | 440 | 350 | 552 | 395 | 194 | 572 | 95  | 260 | 175 | 140 | 65  | 4-M16 | 166 |
| YSW6537   | 400 | 310 | 440 | 350 | 552 | 435 | 194 | 572 | 95  | 260 | 175 | 140 | 65  | 4-M16 | 166 |
| YSW6555   | 400 | 310 | 440 | 350 | 552 | 486 | 194 | 572 | 95  | 260 | 175 | 140 | 65  | 4-M16 | 166 |
| YSW8037   | 400 | 310 | 440 | 350 | 602 | 435 | 224 | 792 | 110 | 275 | 185 | 150 | 80  | 8-M16 | 217 |
| YSW8055   | 400 | 310 | 440 | 350 | 602 | 486 | 224 | 792 | 110 | 275 | 185 | 150 | 80  | 8-M16 | 217 |
| YSW8075   | 400 | 310 | 440 | 350 | 602 | 536 | 224 | 792 | 110 | 275 | 185 | 150 | 80  | 8-M16 | 217 |
| YSW10055  | 400 | 310 | 440 | 350 | 700 | 486 | 224 | 792 | 115 | 350 | 210 | 175 | 100 | 8-M16 | 240 |
| YSW10075  | 400 | 310 | 440 | 350 | 700 | 536 | 224 | 792 | 115 | 350 | 210 | 175 | 100 | 8-M16 | 240 |
| YSW10011  | 400 | 310 | 440 | 350 | 700 | 551 | 224 | 792 | 115 | 350 | 210 | 175 | 100 | 8-M16 | 240 |
| YSW125A75 | 560 | 450 | 600 | 490 | 795 | 536 | 378 | 850 | 140 | 385 | 250 | 210 | 125 | 8-M16 | 280 |
| YSW125A11 | 560 | 450 | 600 | 490 | 795 | 551 | 378 | 850 | 140 | 385 | 250 | 210 | 125 | 8-M16 | 280 |
| YSW12575  | 560 | 450 | 600 | 490 | 795 | 591 | 378 | 850 | 140 | 385 | 250 | 210 | 125 | 8-M16 | 280 |
| YSW12511  | 560 | 450 | 600 | 490 | 795 | 591 | 378 | 850 | 140 | 385 | 250 | 210 | 125 | 8-M16 | 280 |
| YSW12515  | 560 | 450 | 600 | 490 | 795 | 591 | 378 | 850 | 140 | 385 | 250 | 210 | 125 | 8-M16 | 280 |



# 沉水式鼓風機

## SUBMERSIBLE ROOTS BLOWER

### 沉水鼓風機注意事項 INSTALLATION NOTICE



### 注意事項 matter needing attention

1. 出入口管路須固定防止鬆動。

**Piping system should be fixed to prevent loose.**

2. 地面底部不平或傾斜請用繩索或鐵鍊固定主體上方之吊環。

**Please use rope and chain to prevent rough foundation.**

3. 注意進氣口暢通，避免阻塞及物品吸入。

**Please keep inlet piping system clean to avoid choking.**

4. 散氣盤請依按照程序安裝。

**Please follow up diffuser installation guide.**

5. 請務必於配電盤安裝漏電斷路器以確保安全。

**For safety, please install electric leakage circuit breaker in your control system.**

6. 開始運轉前請確認安全閥是否開啟。

**Please confirm valve in open position when the blower turn on.**

7. 請維持水溫於35°C以下，且須保持水位高度，以確保鼓風機溫度，避免馬達過熱。

**Please keep the temperature below 35°C and maintain lowest water level to prevent motor overheat.**

8. 請注意水面高度勿超過安全閥以避免回流。

**Please pay your attention, do not install relief valve below highest water level to prevent backflow.**